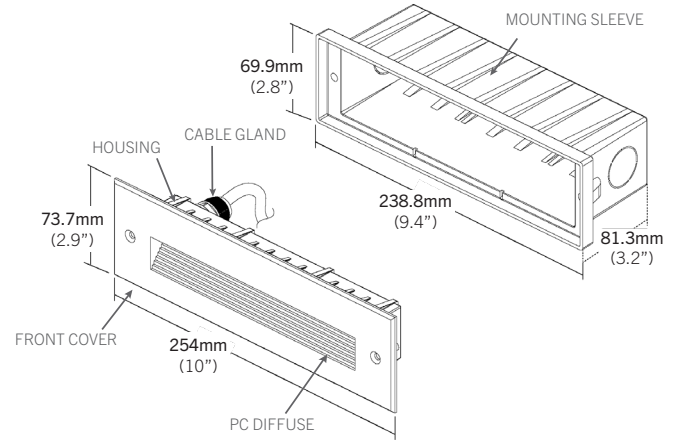


INSTALLATION GUIDE



DIMENSIONS








PRE-INSTALLATION

Power input is 24V. Confirm the source voltage is compatible.
Disconnect power source prior to installation.

SAFETY

Read all instructions before installation.

Do not look directly into light.
Do not submerge in water.

-  Product should be installed by a qualified electrician.
-  Product should be installed in accordance with these instructions and current electrical codes.
-  Product is 24V. Do not connect to 120V power source.
-  Not recommended to be installed on the beach and corrosive chemical areas to avoid corrosion and damage.
-  Must be installed with CORE Lighting Drivers

INSTALLATION

STEP 1

Insert mounting sleeve into the wall and feed main power cable through the sleeve. (Figure 1)

STEP 2

Connect the main power cable with fixture cable. (Figure 2)

STEP 3

Align light fixture to mounting sleeve and screw in place.
One screw on each side of the front cover. (Figure 3)

