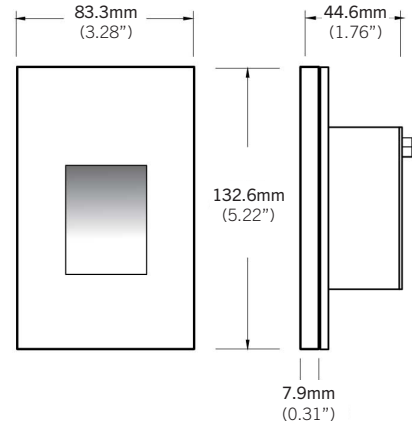


## INSTALLATION GUIDE



### DIMENSIONS



### PRE-INSTALLATION

Power input of 120V AC, 50/60Hz is required.  
Confirm the source voltage is compatible.

\* For 12V AC/DC, please follow standard low voltage wiring.

Disconnect power source prior to installation.

### SAFETY

Read all instructions before installation.

Do not take apart LED light engine! This fixture has no serviceable parts.

Do not look directly into light.



Product should be installed in accordance with these instructions, current electrical codes, current National Electric Code (NEC), and/or Canadian Electrical Code standards.



If you have any doubts about how to install this lighting fixture, or if the fixture fails to operate completely, consult a local licensed electrician.

### INSTALLATION

**STEP 1** Connect the LED supply wires to the source wires fed through the electrical box. Match the polarity (Black to Black/ White to White).

**STEP 2** Align the holes of the LED light engine and electrical box. Using the provided screws, tightly secure them together.

**STEP 3** Cover the LED light engine with the faceplate. Using the provided wrench, tighten the screw at the bottom of the faceplate.

**STEP 4** Turn on main power.

