

# IG-103-SS 2.5W Indoor Flexible LED Strip

JOB NAME: \_\_\_\_\_  
LOCATION: \_\_\_\_\_  
QUOTE/REF#: \_\_\_\_\_



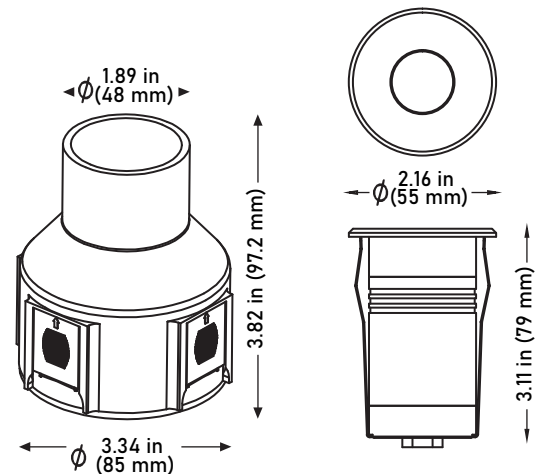
The **IG-103-SS** is a 2.5W in-ground dimmable LED fixture which can be used in most indoor or outdoor applications. Capable of up to 154 Lumens of light output, this easy to install fixture comes with a concrete pour housing and features heavy duty stainless steel finish able to withstand a maximum load of 2,000 lbs. Available in round or square face plate options.

## SPECIFICATIONS

<b>VOLTAGE</b>	24V DC
<b>POWER CONSUMPTION</b>	2.5W
<b>LUMEN OUTPUT</b>	136 Lm (30K) 154 Lm (60K)
<b>OPERATING FREQUENCY</b>	50 / 60Hz
<b>CCT</b>	3000K, 6000K
<b>CRI</b>	90
<b>STANDARD OPTICS</b>	30°
<b>DIMMING</b>	YES
<b>IP RATING</b>	IP67 wet location
<b>OPERATING TEMPERATURE</b>	-4 ~ 122°F (-20 ~ 50°C)
<b>AMBIENT TEMPERATURE</b>	-4 ~ 176°F (-20 ~ 80°C)
<b>LUMEN MAINTENANCE</b>	50,000 hrs.
<b>CONNECTION</b>	20" 18AWG Lead Wire
<b>MAXIMUM LOAD</b>	2,000 lbs.
<b>HOUSING DIMENSIONS</b>	3.82" x 3.34"
<b>FACE PLATE DIMENSIONS</b>	2.16" x 3.11"

## FEATURES

- Suitable for interior or exterior applications.
- Designed for in-grade applications.
- Heavy duty stainless steel finish.
- 3000K, 6000K and Blue
- Standard optics: 30°
- Suitable for wet locations.
- Dimmable
- Rated to last 50,000 hrs.
- 24V DC power supply required.

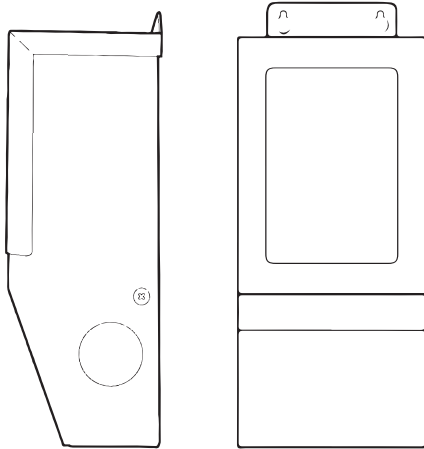


# IG-103-SS 2.5W Indoor Flexible LED Strip

## STANDARD ORDERING CODE

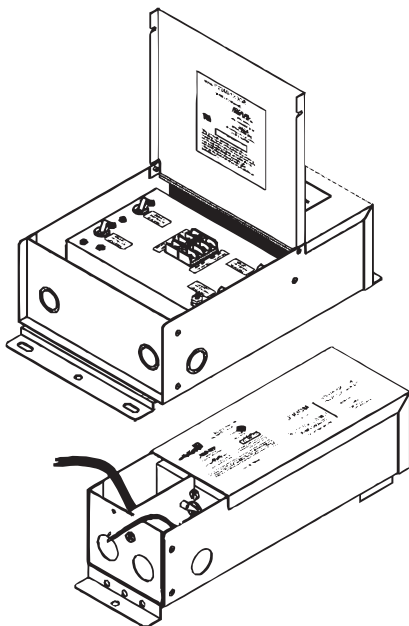
Model	Color Temp	Optics	Voltage
IG-103-SS	30K 3000K	30 30 degrees	24 24 Volts
	60K 6000K		

## COMPATIBLE TRANSFORMERS



### PSDM SERIES | DIMMABLE MAGNETIC LOW VOLTAGE (MLV)

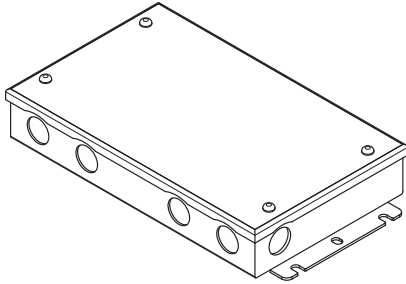
<b>PSDM-20W-24V</b>	CLASS 2	5.6" x 2" x 2.14"
<b>PSDM-40W-24V</b>	CLASS 2	5.6" x 2" x 2.14"
<b>PSDM-60W-24V</b>	CLASS 2	6.5" x 2.3" x 2.5"
<b>PSDM-100W-24V</b>	CLASS 2	6.5" x 2.3" x 2.5"
<b>PSDM-150W-24V</b>		9.8" x 3" x 3"
<b>PSDM-192W-24V</b>	CLASS 2	7.0" x 7.0" x 3.2"
<b>PSDM-200W-24V</b>		9.8" x 3" x 3"
<b>PSDM-288W-24V</b>	CLASS 2	9.8" x 4.2" x 3.5"
<b>PSDM-300W-24V</b>		7.0" x 7.0" x 3.2"



### PSDH SERIES | HIGH PERFORMANCE MAGNETIC LOW VOLTAGE (MLV)

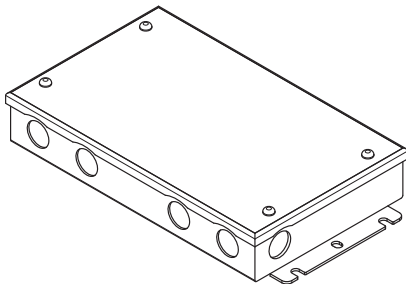
<b>PSDH-48W-24V</b>	CLASS 2	11.25" x 3.37" x 3.25"
<b>PSDH-96W-24V</b>	CLASS 2	11.25" x 3.37" x 3.25"
<b>PSDH-288W-24V</b>	CLASS 2	14.25" x 8.43" x 4.43"

## COMPATIBLE TRANSFORMERS



### PSDL SERIES | TRIAC DIMMABLE

<b>PSDL-30W-24V</b>	CLASS 2	6.5"x 3.63"x 1.03"
<b>PSDL-60W-24V</b>	CLASS 2	7.4"x 3.63"x 1.03"
<b>PSDL-96W-24V</b>	CLASS 2	8.67"x 3.67"x 1.62"
<b>PSDL-150W-24V</b>	CLASS 2	8.67"x 3.67"x 1.62"
<b>PSDL-192W-24V</b>	CLASS 2	10.25"x 4.06"x 1.82"
<b>PSDL-200W-24V</b>	CLASS 2	10.25"x 4.06"x 1.82"
<b>PSDL-288W-24V</b>	CLASS 2	10.25"x 4.06"x 1.82"
<b>PSDL-300W-24V</b>	CLASS 2	10.25"x 4.06"x 1.82"



### PSHK SERIES | NON-DIMMING W/ JUNCTION BOX

<b>PSHK-30W-24V-UNV</b>	CLASS 2	6.5" X 3.6" X 1.02"
<b>PSHK-60W-24V-UNV</b>	CLASS 2	7.4" X 3.62" X 1.02"
<b>PSHK-96W-24V-UNV</b>	CLASS 2	8.66" X 3.66" X 1.61"
<b>PSHK-150W-24V-UNV</b>		10.24" X 4.06" X 1.81"
<b>PSHK-200W-24V-UNV</b>		10.24" X 4.06" X 1.81"
<b>PSHK-300W-24V-UNV</b>		10.94" X 4.25" X 1.81"