

## SPECIFICATION SHEET

JOB NAME: \_\_\_\_\_  
 LOCATION: \_\_\_\_\_  
 QUOTE/REF#: \_\_\_\_\_



**ST-150** is a 5W, 24V outdoor luminaire intended for use as stair and wall lights. Illuminate paths and walkways or mount these onto walls to shine down on surface or floor. IP67 outdoor rated to withstand all weather conditions. Ideal for residential and commercial applications.

### FEATURES

- Recessed applications
- Up to 124 lumens
- Superior Color Rendering Index (90+ CRI)
- Die-cast powder coated aluminum
- Small form factor
- IP67 outdoor rated
- Great dimming performance
- Dimmable with most TRIAC, MLV and ELV dimmers



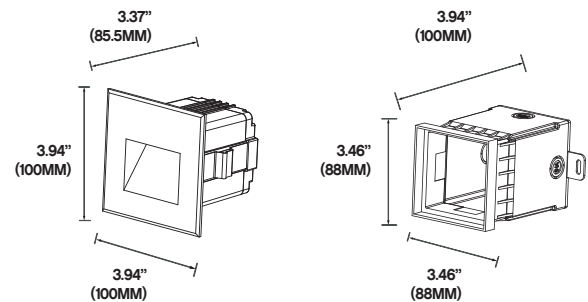
### SPECIFICATIONS

INPUT VOLTAGE	24V DC
POWER CONSUMPTION	5W
LUMEN OUTPUT	Warm White (30K) = 112.9 lumens Cool White (40K) = 124.6 lumens
BEAM ANGLE	120°
CCT	3000K, 4000K
CRI	90+
DIMMING	TRIAC, MLV, and ELV
OPERATING TEMPERATURE	-20°C ~ 40°C
LED	OSRAM LED
MOUNTING	Recessed
LUMEN MAINTENANCE	50,000 hrs.
IP RATING	IP65 outdoor
FINISH OPTIONS	White, Black, Silver, Bronze and Graphite
CERTIFICATIONS	RoHS, ETL

### FINISH OPTIONS



### DIMENSIONS



### ORDERING GUIDE EX: ST150-30K-BK-24

ST-150			
MODEL	COLOR TEMP	FINISH	VOLTAGE
	30K - 3000K 40K - 4000K	WH - WHITE BK - BLACK SI - SILVER BZ - BRONZE GH - GRAPHITE	24 - 24V DC

# ST-150 Recessed LED Luminaire

## COMPATIBLE DIMMABLE TRANSFORMERS

MAGNETIC LOW VOLTAGE (MLV)				
	CLASS 2	L X W X H		
<b>PSDM SERIES</b>				
	PSDM-20W-12V	YES	5.6" X 2" X 2.14"	
	PSDM-40W-12V	YES	5.6" X 2" X 2.14"	
	PSDM-60W-12V	YES	6.5" X 2.3" X 2.5"	
	PSDM-100W-12V	NO	9.8" X 3" X 3"	
	PSDM-150W-12V	NO	9.8" X 3" X 3"	
	PSDM-180W-12V-CL2	YES	9.8" X 3" X 3"	
	PSDM-200W-12V	NO	9.8" X 3" X 3"	
	PSDM-300W-12V	NO	9.8" X 4.2" X 3.5"	
	PSDM-300W-12V-CL2	YES	7.0" X 7.0" X 3.2"	
<b>PSDM SERIES</b>				
	PSDM-20W-24V	YES	5.6" X 2" X 2.14"	
	PSDM-40W-24V	YES	5.6" X 2" X 2.14"	
	PSDM-60W-24V	YES	6.5" X 2.2" X 2.5"	
	PSDM-100W-24V-CL2	YES	6.5" X 2.2" X 2.5"	
	PSDM-150W-24V	NO	9.8" X 3" X 3"	
	PSDM-192W-24V-CL2	YES	7.0" X 7.0" X 3.2"	
	PSDM-200W-24V	NO	9.8" X 3" X 3"	
	PSDM-300W-24V	NO	9.8" X 4.2" X 3.5"	
	PSDM-288W-24V-CL2	YES	7.0" X 7.0" X 3.2"	

\* 277 VERSIONS AVAILABLE, PLEASE CONSULT FACTORY

HIGH PERFORMANCE MLV				
	CLASS 2	L X W X H		
<b>PSDH SERIES</b>				
	PSDH-48W-24V	YES	11.25" X 3.37" X 3.25"	
	PSDH-96W-24V	YES	11.25" X 3.37" X 3.25"	
	PSDH-288W-24V	YES	14.25" X 8.43" X 4.43"	

\* 277 VERSIONS AVAILABLE, PLEASE CONSULT FACTORY

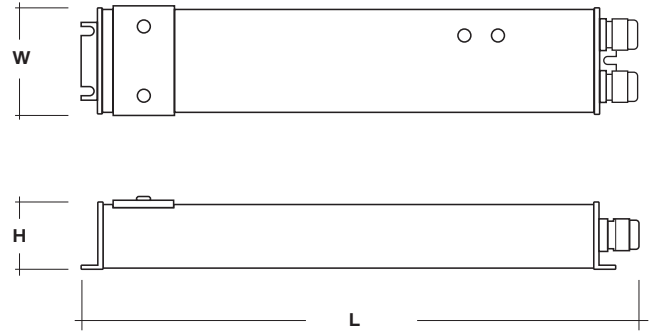
TRIAC DIMMING ELECTRONIC				
	CLASS 2	L X W X H		
<b>PSDT SERIES</b>				
	PSDT-20W-12V	YES	6.1" X 2.12" X 0.79"	
	PSDT-20W-24V	YES	6.1" X 2.12" X 0.79"	
	PSDT-40W-12V	YES	7.0" X 2.4" X 0.95"	
	PSDT-40W-24V	YES	7.0" X 2.4" X 0.95"	
	PSDT-60W-12V	YES	7.1" X 2.36" X 1.38"	
	PSDT-60W-24V	YES	7.1" X 2.36" X 1.38"	
	PSDT-96W-24V-JB	YES	9.06" X 2.76" X 1.82"	
	PSDT-120W-12V-JB	NO	8.92" X 3.0" X 1.85"	
	PSDT-150W-24V-JB	NO	8.92" X 3.0" X 1.85"	
	PSDT-200W-24V-JB	NO	8.92" X 3.0" X 1.85"	

# ST-150 Recessed LED Luminaire

## COMPATIBLE DIMMABLE TRANSFORMERS

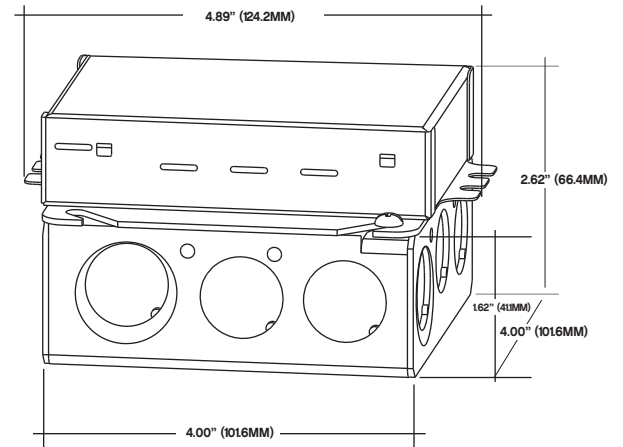
### 0-10 DIMMING WITH JUNCTION BOX

		CLASS 2	L X W X H
PSDE SERIES	<u>PSDE-100W-24V-010-JB</u>	YES	12.32" X 1.77" X 1.67"



### LUTRON 1% DIMMING

		CLASS 2	L X W X H
2-WIRE	<u>LTEA4U1UKL-CV240</u>	YES	4.0" X 1.5" X 4.0"
3-WIRE	<u>L3DA4U1UKL-CV240</u>	YES	4.0" X 1.5" X 4.0"



### LUTRON .1% DIMMING

		CLASS 2	L X W X H
PSDE SERIES	<u>PSDE-96W-24V-ECO</u>	YES	10.5" X 3.0" X 2.0"

