

INSTALLATION GUIDE

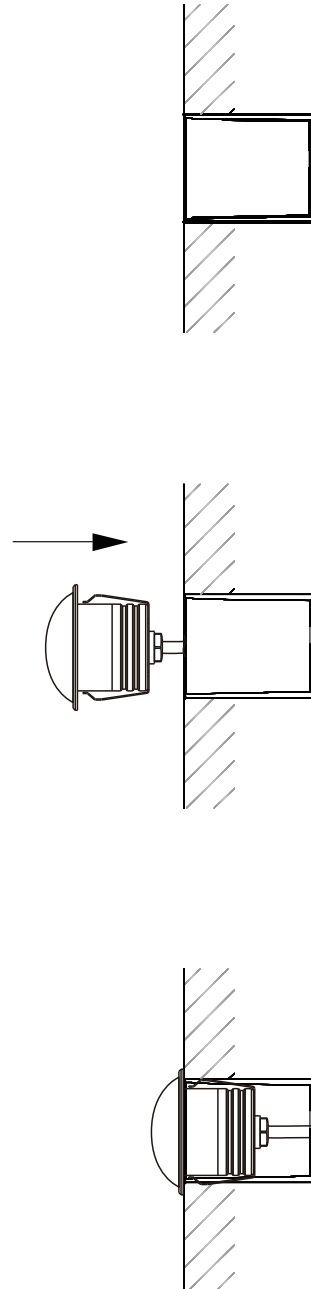


WARNING: RISK OF ELECTRICAL SHOCK
* turn off main power prior to installation
* make sure hands are dry
* never touch exposed wires

1 Make a hole on the wall where the luminaire will be installed. Determine the appropriate size to accommodate the fixture's sleeve. Run power leads through sleeve then insert sleeve into hole.

2 Connect power leads from fixture to power source. Allow enough wire length for future maintenance procedures.

3 Push LED fixture into mounting sleeve carefully until fixture is fully secure.



WL200

Recessed LED Wall Luminaire

DIMENSIONS



WARNING: RISK OF ELECTRICAL SHOCK
* turn off main power prior to installation
* make sure hands are dry
* never touch exposed wires

Unit: mm

