

SPECIFICATION SHEET

JOB NAME: _____
 LOCATION: _____
 QUOTE/REF#: _____



The BFL-601 is a professional and architectural grade spotlight with an integrated LED suitable for uplighting applications. Its heavy, solid cast brass body features a sleek and modern design which also acts as a heat sink allowing the fixture to operate at a much cooler temperature. Outdoor rated, waterproof.

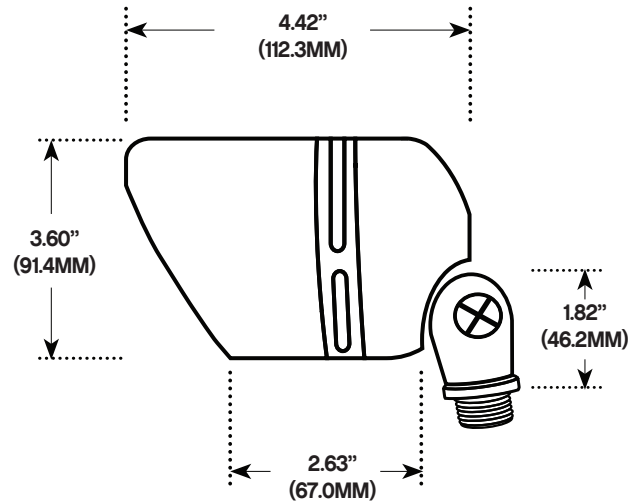
FEATURES

- Solid Brass construction.
- Antique Bronze finish.
- High performance CREE LED's
- 750 Lumens
- Available in 27K / 30K / 40K
- Dimmable
- IP65 Outdoor / Wet Rated
- ETL Listed
- MOUNTING STAKE INCLUDED WITH EVERY FIXTURE

SPECIFICATIONS

VOLTAGE	12V AC
POWER CONSUMPTION	12W
LUMEN OUTPUT	750 Lumens
OPERATING FREQUENCY	50 / 60Hz
CCT	2700K / 3000K / 4000K
CRI	80+
DIMMING	YES
FINISH	Antique Bronze
IP RATING	IP65 wet location
OPERATING TEMPERATURE	-4 ~ 122°F (-20 ~ 50°C)
AMBIENT TEMPERATURE	-4 ~ 176°F (-20 ~ 80°C)
LUMEN MAINTENANCE	50,000 hrs.
MOUNTING	10" Hammer stake with cutout for wire
LENS	Clear flat glass
OPTICS	35° flood / 60° wide flood

DIMENSIONS



ORDERING GUIDE EX: BFL-601-AB-30K-35-12V

BFL-601-AB			
MODEL	COLOR TEMPERATURE	BEAM ANGLE	VOLTAGE
	27K - 2700K 30K - 3000K 40K - 4000K	35 - 35° 60 - 60°	12V - 12V DC