

SPECIFICATION SHEET

JOB NAME: _____
 LOCATION: _____
 QUOTE/REF#: _____



WL-100 is a LED hardscape light that can fit many outdoor lighting needs, such as patio lighting, outdoor step lighting, deck lighting, retaining wall lighting, stone wall lighting, and under-rail lighting. This fixture combines form and function to enhance your outdoor space.

FEATURES

- 12V AC/DC
- Outstanding Lumen Output
- Up to 85% Energy Savings
- IP65 Outdoor Rated / Water Resistant
- 2700K, 3000K and 4000K Color Temp Options
- Easy to Install
- 60" 16AWG SPT-1W Lead Wires

SPECIFICATIONS

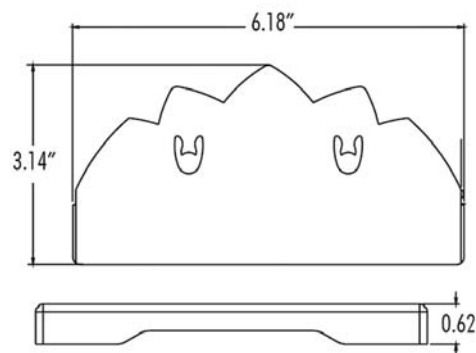
INPUT VOLTAGE	12V AC/DC
POWER CONSUMPTION	2W 5W
LUMEN OUTPUT	220 Lm 480 Lm
BEAM ANGLE	120°
CCT	2700K, 3000K and 4000K
CRI	85+
DIMMING	Dimmable
OPERATING TEMPERATURE	-20°C ~ 40°C
MOUNTING	Surface
LUMEN MAINTENANCE	50,000 hrs.
IP RATING	IP65 outdoor / wet rated
FINISH OPTIONS	Black Coated Stainless Steel1
LEAD WIRE	60" 16AWG SPT-1W Lead Wires
DIMENSIONS	6.18" L x 3.14" W x 0.62" H

FINISH OPTIONS



BLACK

DIMENSIONS



ORDERING GUIDE EX: WL500-30K-BK-12

WL-500			
MODEL	COLOR TEMP	FINISH	VOLTAGE
	27K - 2700K 30K - 3000K 40K - 4000K	BK - BLACK	12 - 12V AC/DC

COMPATIBLE DIMMABLE TRANSFORMERS

MAGNETIC LOW VOLTAGE (MLV)

		CLASS 2	L X W X H
PSDM SERIES	PSDM-20W-12V	YES	5.6" X 2" X 2.14"
	PSDM-40W-12V	YES	5.6" X 2" X 2.14"
	PSDM-60W-12V	YES	6.5" X 2.3" X 2.5"
	PSDM-100W-12V	NO	9.8" X 3" X 3"
	PSDM-150W-12V	NO	9.8" X 3" X 3"
	PSDM-180W-12V-CL2	YES	9.8" X 3" X 3"
	PSDM-200W-12V	NO	9.8" X 3" X 3"
	PSDM-300W-12V	NO	9.8" X 4.2" X 3.5"
	PSDM-300W-12V-CL2	YES	7.0" X 7.0" X 3.2"
PSDM SERIES	PSDM-20W-24V	YES	5.6" X 2" X 2.14"
	PSDM-40W-24V	YES	5.6" X 2" X 2.14"
	PSDM-60W-24V	YES	6.5" X 2.2" X 2.5"
	PSDM-100W-24V-CL2	YES	6.5" X 2.2" X 2.5"
	PSDM-150W-24V	NO	9.8" X 3" X 3"
	PSDM-192W-24V-CL2	YES	7.0" X 7.0" X 3.2"
	PSDM-200W-24V	NO	9.8" X 3" X 3"
	PSDM-300W-24V	NO	9.8" X 4.2" X 3.5"
	PSDM-288W-24V-CL2	YES	7.0" X 7.0" X 3.2"

* 277 VERSIONS AVAILABLE, PLEASE CONSULT FACTORY

HIGH PERFORMANCE MLV

		CLASS 2	L X W X H
PSDH SERIES	PSDH-48W-24V	YES	11.25" X 3.37" X 3.25"
	PSDH-96W-24V	YES	11.25" X 3.37" X 3.25"
	PSDH-288W-24V	YES	14.25" X 8.43" X 4.43"

* 277 VERSIONS AVAILABLE, PLEASE CONSULT FACTORY

TRIAC DIMMING ELECTRONIC

		CLASS 2	L X W X H
PSDT SERIES	PSDT-20W-12V	YES	6.1" X 2.12" X 0.79"
	PSDT-20W-24V	YES	6.1" X 2.12" X 0.79"
	PSDT-40W-12V	YES	7.0" X 2.4" X 0.95"
	PSDT-40W-24V	YES	7.0" X 2.4" X 0.95"
	PSDT-60W-12V	YES	7.1" X 2.36" X 1.38"
	PSDT-60W-24V	YES	7.1" X 2.36" X 1.38"
	PSDT-96W-24V-JB	YES	9.06" X 2.76" X 1.82"
	PSDT-120W-12V-JB	NO	8.92" X 3.0" X 1.85"
	PSDT-150W-24V-JB	NO	8.92" X 3.0" X 1.85"
	PSDT-200W-24V-JB	NO	8.92" X 3.0" X 1.85"

WL-500 LED Hardscape Lighting 12V AC/DC

COMPATIBLE DIMMABLE TRANSFORMERS

0-10 DIMMING WITH JUNCTION BOX			
		CLASS 2 L X W X H	
PSDE SERIES	<u>PSDE-100W-24V-010-JB</u>	YES	12.32" X 1.77" X 1.67"
LUTRON 1% DIMMING			
		CLASS 2 L X W X H	
2-WIRE	<u>LTEA4U1UKL-CV240</u>	YES	4.0" X 1.5" X 4.0"
3-WIRE	<u>L3DA4U1UKL-CV240</u>	YES	4.0" X 1.5" X 4.0"
LUTRON .1% DIMMING			
		CLASS 2 L X W X H	
PSDE SERIES	<u>PSDE-96W-24V-ECO</u>	YES	10.5" X 3.0" X 2.0"