

SPECIFICATION SHEET

JOB NAME: _____
 LOCATION: _____
 QUOTE/REF#: _____



The **IG-100** is a 2W in-ground dimmable LED fixture which can be used in most indoor or outdoor applications. Capable of 160 Lumens of light output, this easy to install fixture comes with a concrete pour housing and features heavy duty stainless steel finish able to withstand a maximum load of 2,000 lbs. Available in round or square face plate options.

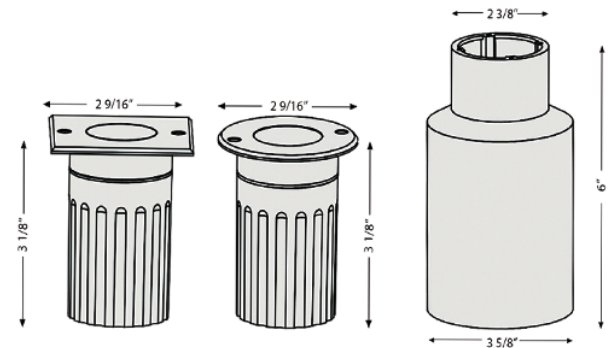
FEATURES

- Suitable for interior or exterior applications.
- Designed for in-grade applications.
- Heavy duty stainless steel finish.
- 3000K, 4000K and Blue color temperature options.
- Suitable for wet locations.
- Dimmable
- Rated to last 50,000 hrs.
- 24V DC power supply required.

SPECIFICATIONS

VOLTAGE	24V DC
POWER CONSUMPTION	2W
LUMEN OUTPUT	160 Lumens
OPERATING FREQUENCY	50 / 60Hz
CCT	3000K / 4000K / Amber
CRI	85+
DIMMING	YES
IP RATING	IP65 wet location
OPERATING TEMPERATURE	-4 ~ 122°F (-20 ~ 50°C)
AMBIENT TEMPERATURE	-4 ~ 176°F (-20 ~ 80°C)
LUMEN MAINTENANCE	50,000 hrs.
CONNECTION	20" 18AWG Lead Wire
MAXIMUM LOAD	2,000 lbs.
HOUSING DIMENSIONS	3.62" D x 6" H
FACE PLATE DIMENSIONS	ROUND: 2.56" D x 3.12" H SQUARE: 2.56" D x 3.12" H

DIMENSIONS



ORDERING GUIDE EX: IG-101-30K-SS-24V

IG				
MODEL	SERIES	COLOR TEMPERATURE	FINISH	VOLTAGE
	101 - Round 102 - Square	30K - 3000K 40K - 4000K	SS - Stainless Steel	24V- 24V DC