

## SPECIFICATION SHEET

JOB NAME: \_\_\_\_\_  
 LOCATION: \_\_\_\_\_  
 QUOTE/REF#: \_\_\_\_\_



The **ST-602** Step Light is a 6W Dimmable LED fixture which can be used in most indoor or outdoor applications. Capable of 330 Lumens of light output, this easy to install fixture provides optimal lighting in a stylish design.

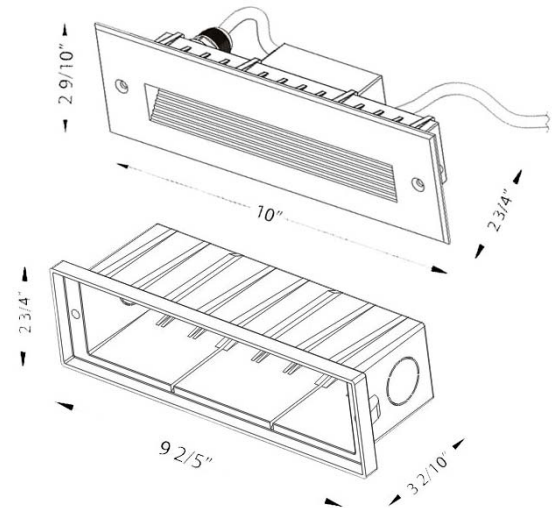
### FEATURES

- 24V DC
- Suitable for interior exterior applications.
- Bronze, Black, White and Silver finishes.
- Die-cast aluminum face plate
- 3000K and 4000K color temperatures
- Suitable for wet locations.
- Dimmable
- Rated to last 50,000 hrs.

### SPECIFICATIONS

VOLTAGE	24V DC
POWER CONSUMPTION	6W
LUMEN OUTPUT	330 Lumens
OPERATING FREQUENCY	50 / 60Hz
CCT	3000K / 4000K
CRI	80+
DIMMING	YES
IP RATING	IP67 wet location
OPERATING TEMPERATURE	-4 ~ 122°F (-20 ~ 50°C)
AMBIENT TEMPERATURE	-4 ~ 176°F (-20 ~ 80°C)
LUMEN MAINTENANCE	50,000 hrs.
CONNECTION	7" 18AWG Lead Wire
WARRANTY	5-Year Limited
HOUSING DIMENSIONS	9 <sup>2</sup> / <sub>5</sub> " W x 2 <sup>3</sup> / <sub>4</sub> " H x 10" W x 3 <sup>1</sup> / <sub>8</sub> " D
FACE PLATE DIMENSIONS	9 <sup>2</sup> / <sub>5</sub> " W x 2 <sup>3</sup> / <sub>4</sub> " H x 10" W x 3 <sup>1</sup> / <sub>8</sub> " D

### DIMENSIONS



### ORDERING GUIDE EX: ST602-30K-BZ-24V

ST602			
MODEL	COLOR TEMP	FINISH	VOLTAGE
	<b>30K</b> - 3000K <b>40K</b> - 4000K	<b>WH</b> - White <b>BK</b> - Black <b>BZ</b> - Bronze <b>SI</b> - Silver	<b>24V</b> - 24V DC